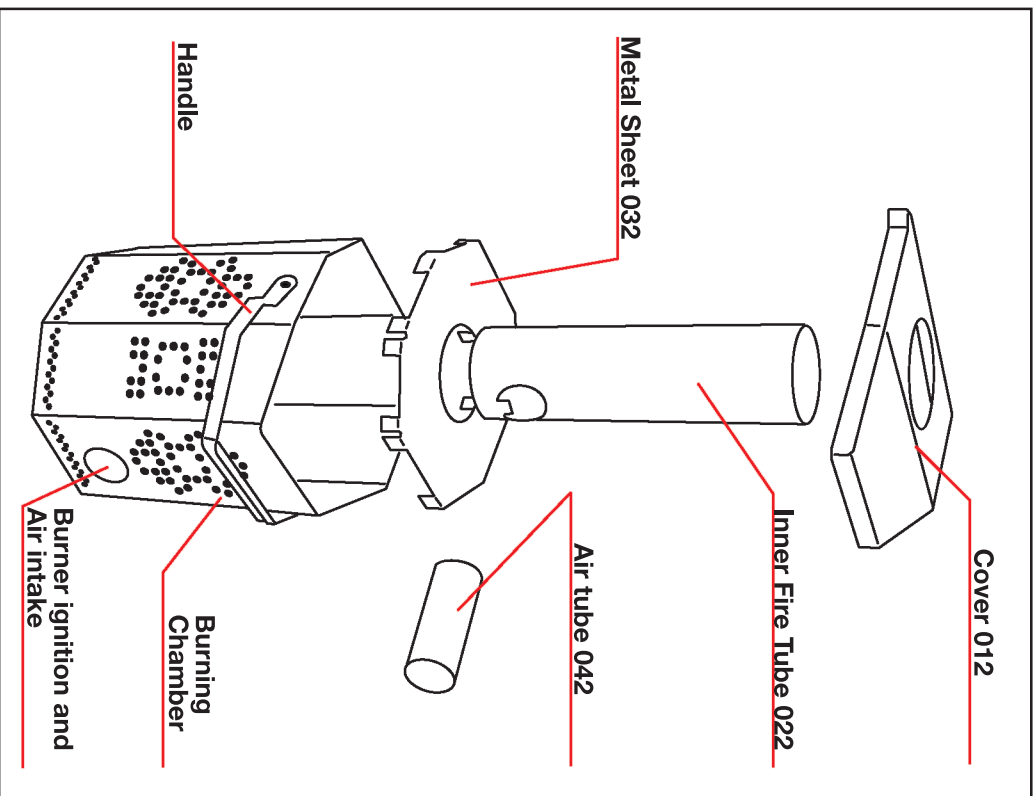


# TULIPIIPPU™

## PELLET BURNER

## INSTRUCTIONS:



1. Take the lid off and fill the combustion chamber with the adequate amount of wood pellets. The operating time is from 2 to 5 hours.
2. Pour about 0.3 L (10 ounces) of wood pellets into a bowl. Add about 0.1 L (3.5 ounces) of commercial firelighter liquid and leave it to be absorbed into the pellets for approximately 10 minutes.
3. Put the soaked pellets onto the bottom of the combustion chamber.
4. Check for any obstacles preventing good air flow from the air intake to the combustion pipe. Put the lid back on the burner.
5. Check that the fireplace air intake is correctly open.
6. Put the burner into the fireplace in such a way that the air intake tube is facing towards you, without the burner touching walls inside the fireplace. The pellet burner should stand upright while functioning, with enough room in front of the air intake to allow good air flow. Make sure that the chimney of the fireplace has enough of draft for the evacuation of the fumes.
7. Light the soaked pellets through the air intake tube with long matches or a piece of paper.
8. Do not leave the burner without surveillance just yet! Check if the lighting procedure was successful and if the smoke is being evacuated properly. The ignition phase takes up to 5-10 minutes. The flame should be about 50 cm (1.5 feet) high. Towards the end of the burning procedure, the flame should shrink until complete extinction. Let the burner cool down inside the fireplace.
9. Do not take the burner out of the fireplace and let the fumes be evacuated through the chimney of the fireplace until the pellet burner has completely cooled down.
10. Empty out the ashes before further use of the burner. Beware of hot ash-induced accidental fires. Clean the combustion chamber and combustion pipe if deemed necessary.

### Safety rules:

- Use only commercially available firelighter liquid for ignition.
- Check for any damaged parts prior to further use.

(Visual description of the pellet burner on the left page)

Spare parts will be available at your Tulippi dealer.

The data presented in this document is subject to change without notice

Information: [www.tulippi.com](http://www.tulippi.com)

Tulippi AY Sorrintie 28 FIN-34260 Terälahi, Finland

Fax and voice mail: +358 3 3784 193

E-Mail: [tulippi@tulippi.com](mailto:tulippi@tulippi.com)